

# MAIN STREET GARDEN

---



City Council Briefing

April 4, 2007



City of Dallas Park & Recreation Department

Thomas Balsley Associates  
Design

Landscape Architecture Site Planning Urban



# MAIN STREET GARDEN PARK - SCHEMATIC DESIGN

MARCH, 2007



PLAN





## MAIN STREET GARDEN PARK - SCHEMATIC DESIGN

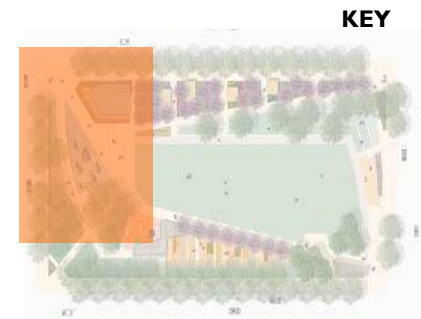
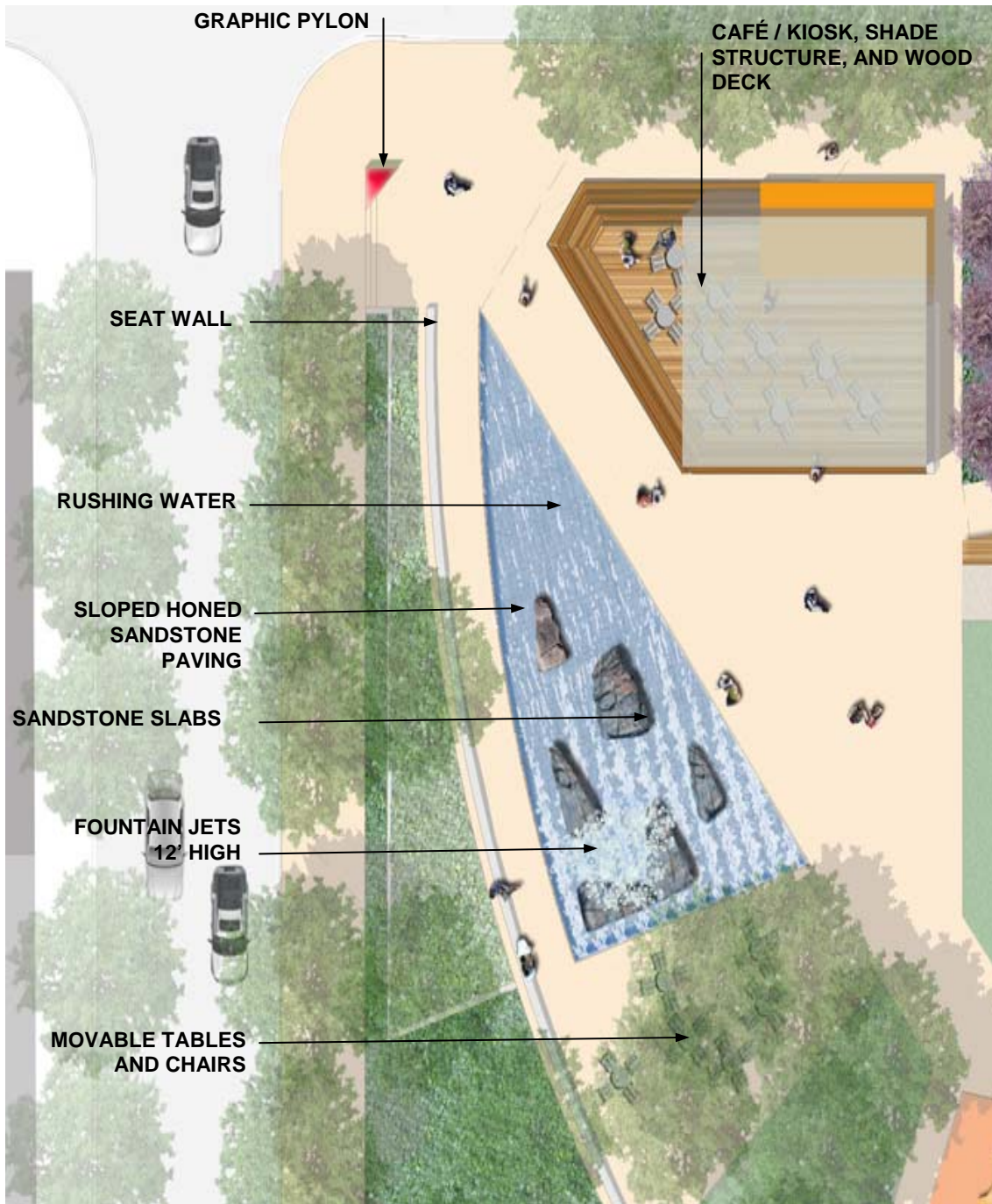
MARCH, 2007

Thomas Balsley Associates  
Design

Landscape Architecture Site Planning Urban

AERIAL VIEW

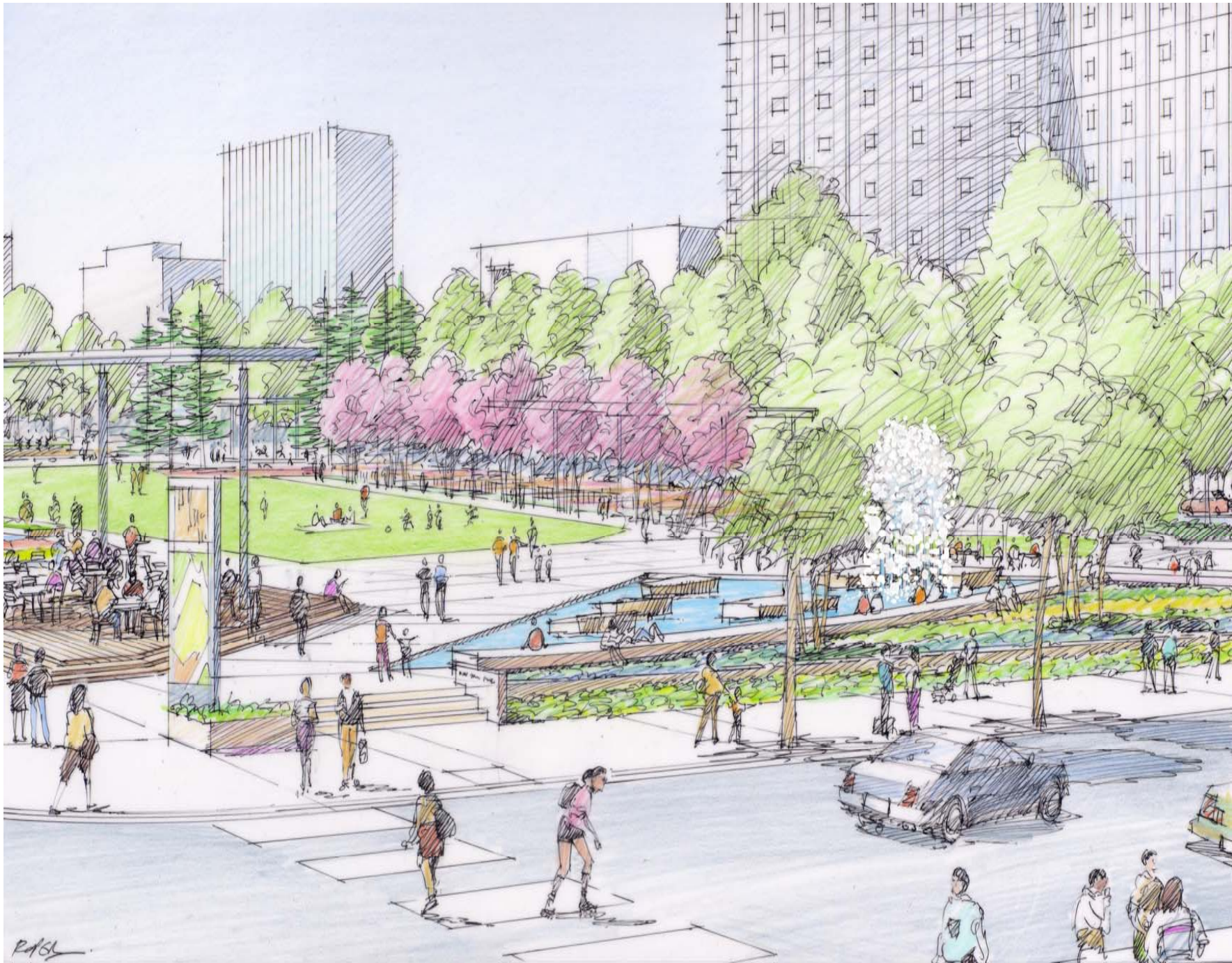




# MAIN STREET GARDEN PARK - SCHEMATIC DESIGN

MARCH, 2007

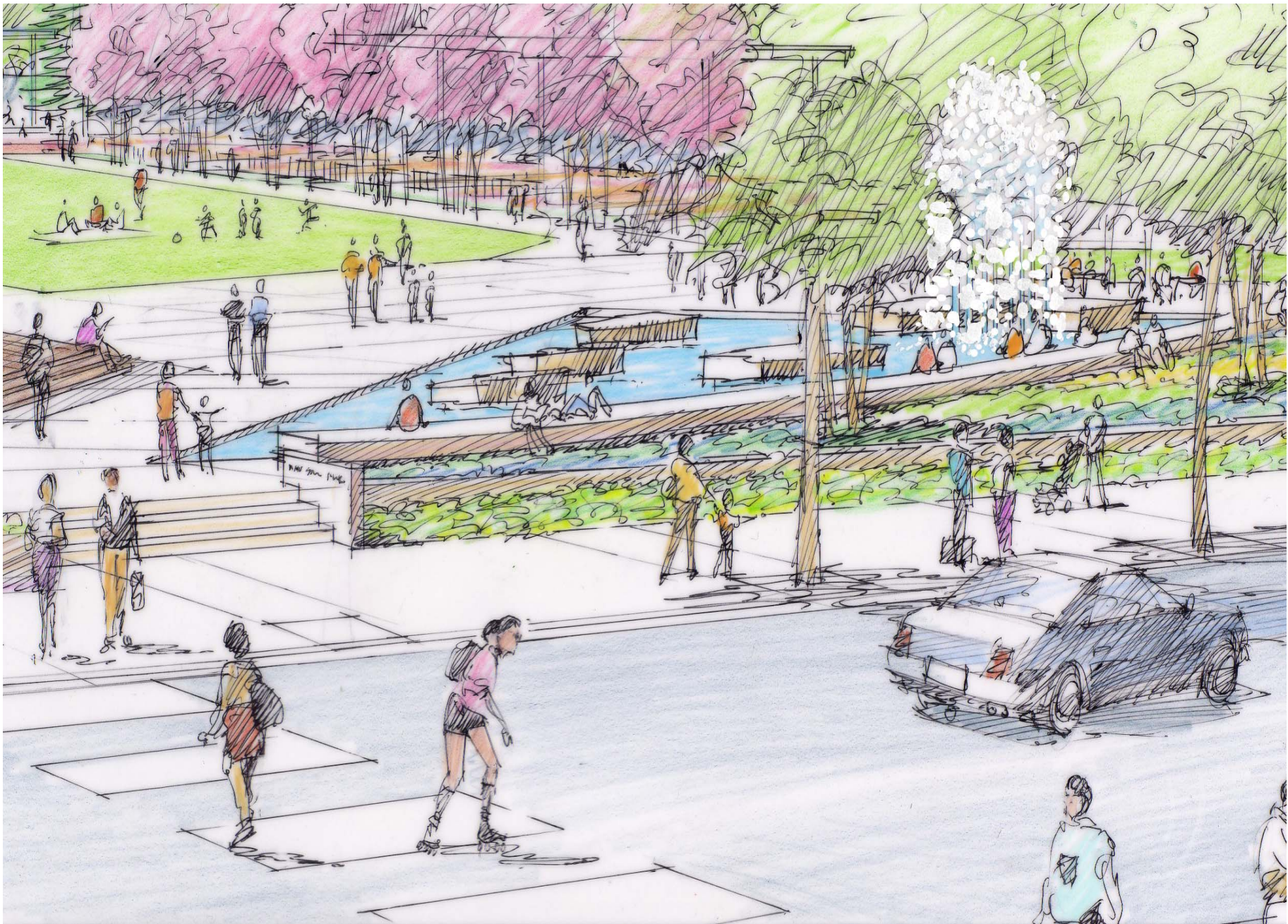




## MAIN STREET GARDEN PARK - SCHEMATIC DESIGN

MARCH, 2007

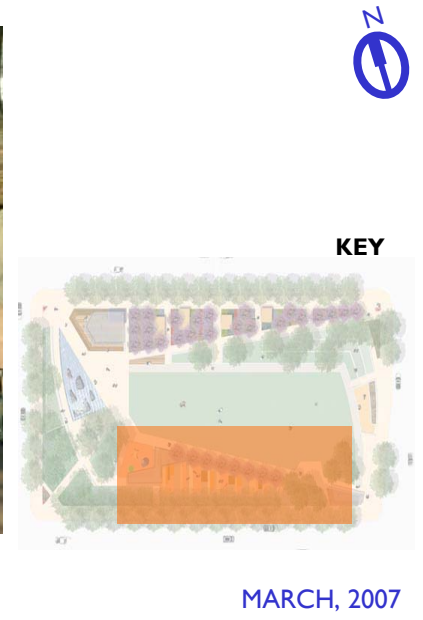
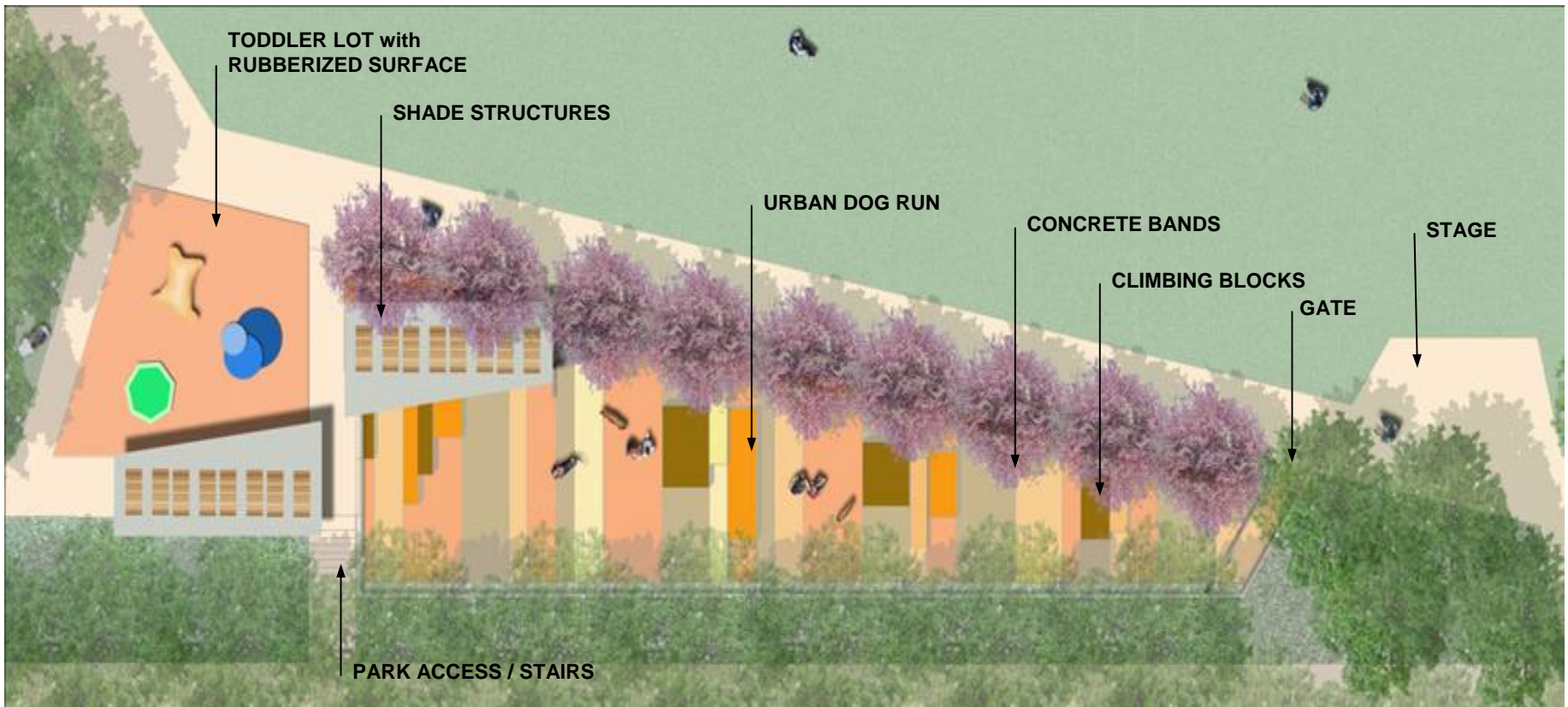




## MAIN STREET GARDEN PARK - SCHEMATIC DESIGN

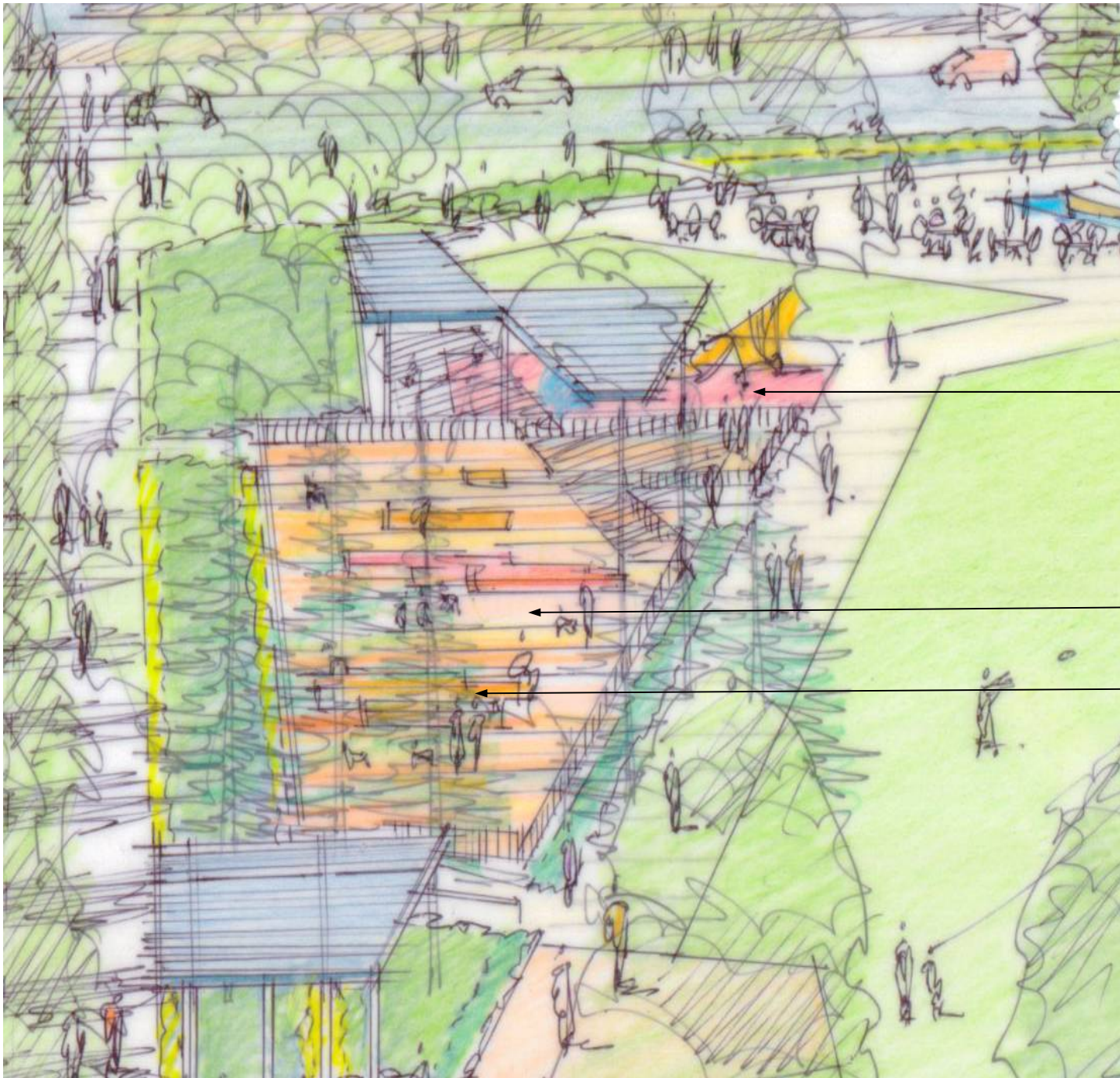
MARCH, 2007





# MAIN STREET GARDEN PARK - SCHEMATIC DESIGN



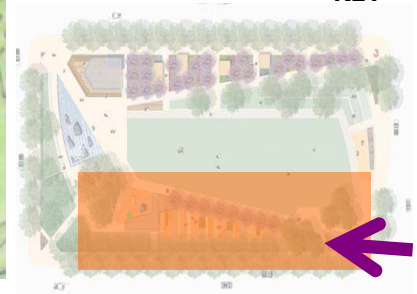


TODDLER LOT

URBAN DOG RUN

CLIMBING BLOCKS & CONCRETE BANDS

KEY



MARCH, 2007

## MAIN STREET GARDEN PARK - SCHEMATIC DESIGN





WOOD DECK PLATFORM

GARDEN SHELTERS

LINEAR ORNAMENTAL PLANTING BAND

WOOD DECKS

DECOMPOSED GRANITE WALK

LAWN TERRACES

LAWN

STAGE

KEY



# MAIN STREET GARDEN PARK - SCHEMATIC DESIGN

MARCH, 2007





## MAIN STREET GARDEN PARK - SCHEMATIC DESIGN

MARCH, 2007





## MAIN STREET GARDEN PARK - SCHEMATIC DESIGN

MARCH, 2007





WOOD DECK

METAL CLAD SHELTER WITH  
RESIN EDGE AND L.E.D. LIGHT  
STRIP

PLANTING BANDS



## MAIN STREET GARDEN PARK - SCHEMATIC DESIGN

MARCH, 2007





## MAIN STREET GARDEN PARK - SCHEMATIC DESIGN

MARCH, 2007



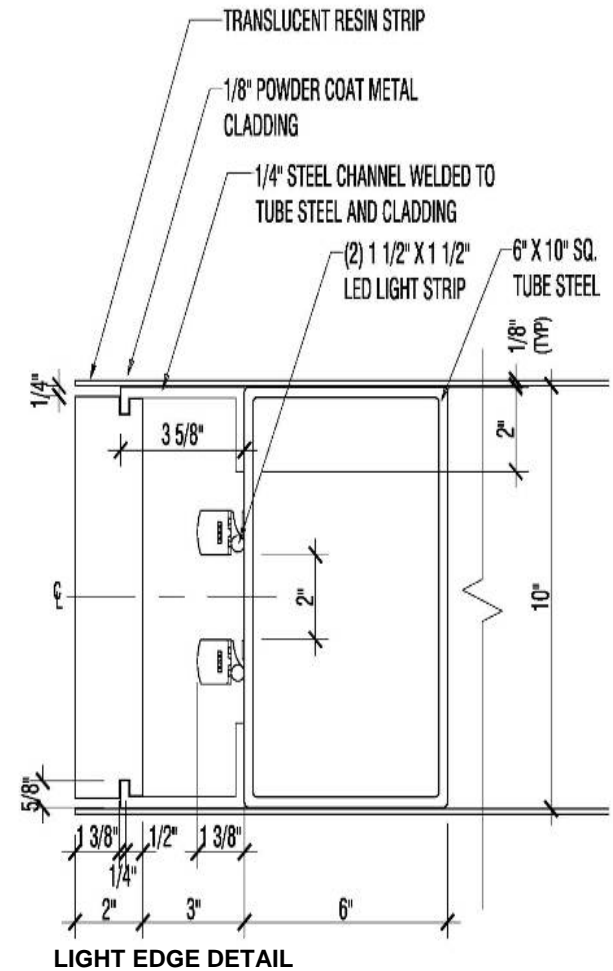
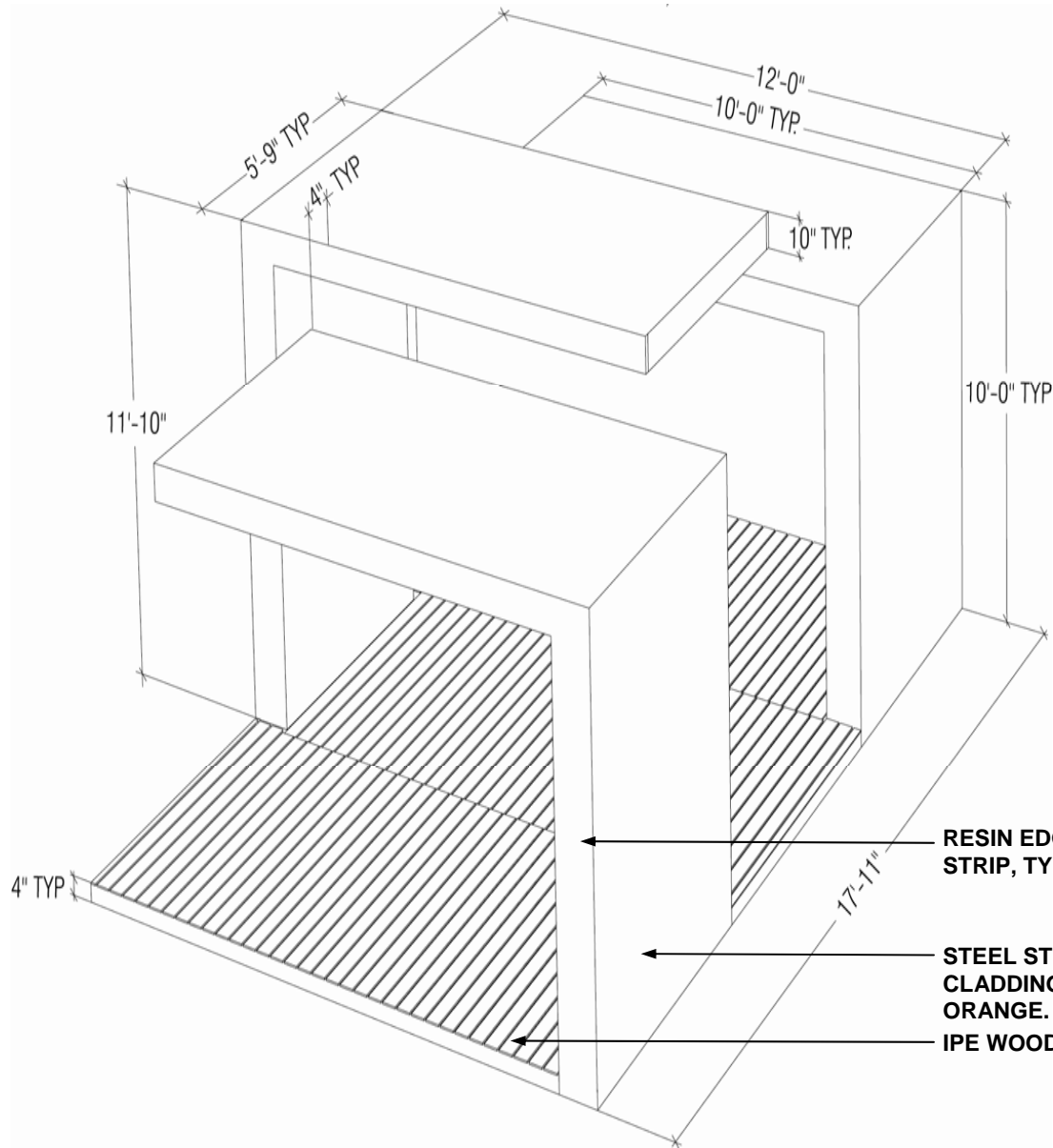


METAL CLAD STRUCTURE  
 RESIN EDGE WITH L.E.D. LIGHTING  
 WOOD DECK BELOW STRUCTURES  
 MAIN STREET  
 BEYOND

# MAIN STREET GARDEN PARK - SCHEMATIC DESIGN

MARCH, 2007





- RESIN EDGE WITH LED LIGHT STRIP, TYP. ALL EDGES
- STEEL STRUCTURE WITH METAL CLADDING. POWDER COATED ORANGE.
- IPE WOOD DECK



GARDEN STRUCTURE

# MAIN STREET GARDEN PARK - SCHEMATIC DESIGN

MARCH, 2007





18' HIGH  
SHADE  
STRUCTURE.  
POWDER  
COATED  
METAL  
CLADDING

6" DIAMETER  
STEEL  
COLUMNS.  
POWDER  
COAT

PUBLIC  
RESTROOM

18" HIGH  
SEATWALL

MOVABLE TABLES  
AND CHAIRS

IPE WOOD DECK

POWDER COATED METAL  
PANELS. ORANGE.

3/4" RESIN PANEL CLADDING. /  
TRANSLUCENT

## MAIN STREET GARDEN PARK - SCHEMATIC DESIGN

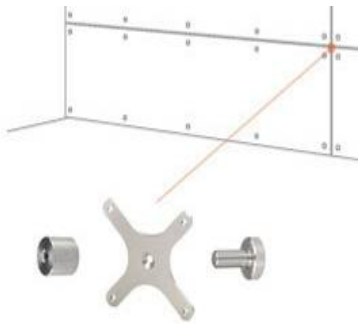
MARCH, 2007



**RESIN EXTERIOR CLADDING SYSTEM:**



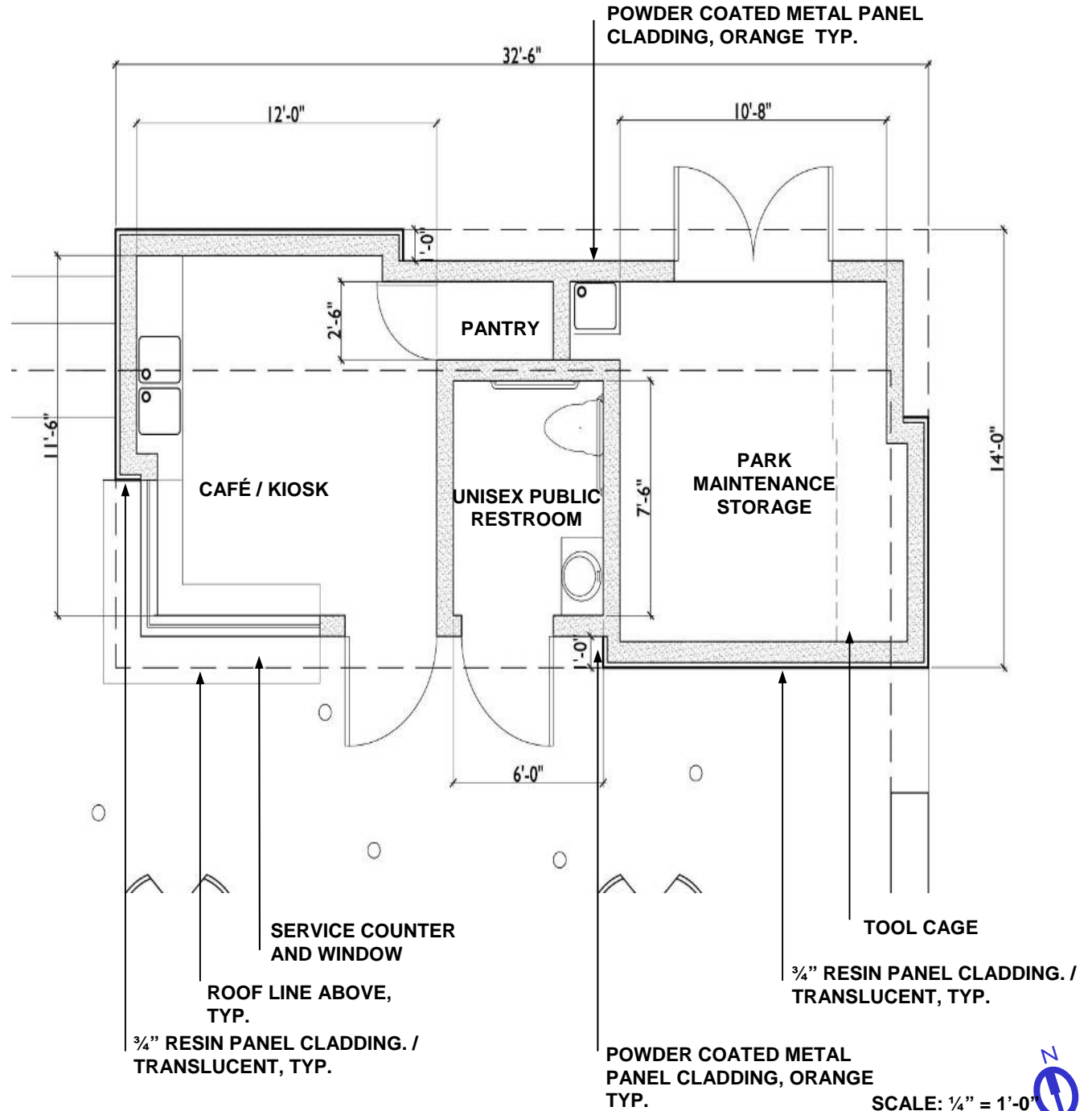
**POINT SYSTEM FASTENERS**



**POINT SYSTEM FASTENERS AND PATTERN**



**TRANSLUCENT RESIN PANELS**



**MAIN STREET GARDEN PARK - SCHEMATIC DESIGN**

MARCH, 2007



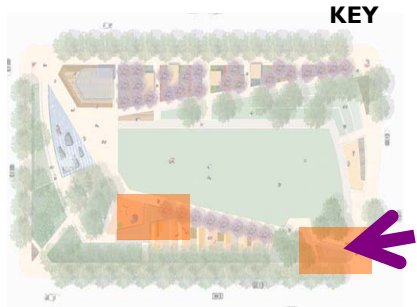


12' HIGH SHADE STRUCTURE.  
METAL CLADDING. POWDER  
COATED

IPE FIXED LOUVERS 6" O.C.

8" SQUARE TUBE STEEL  
POST. POWDER COATED

IPE WOOD DECK



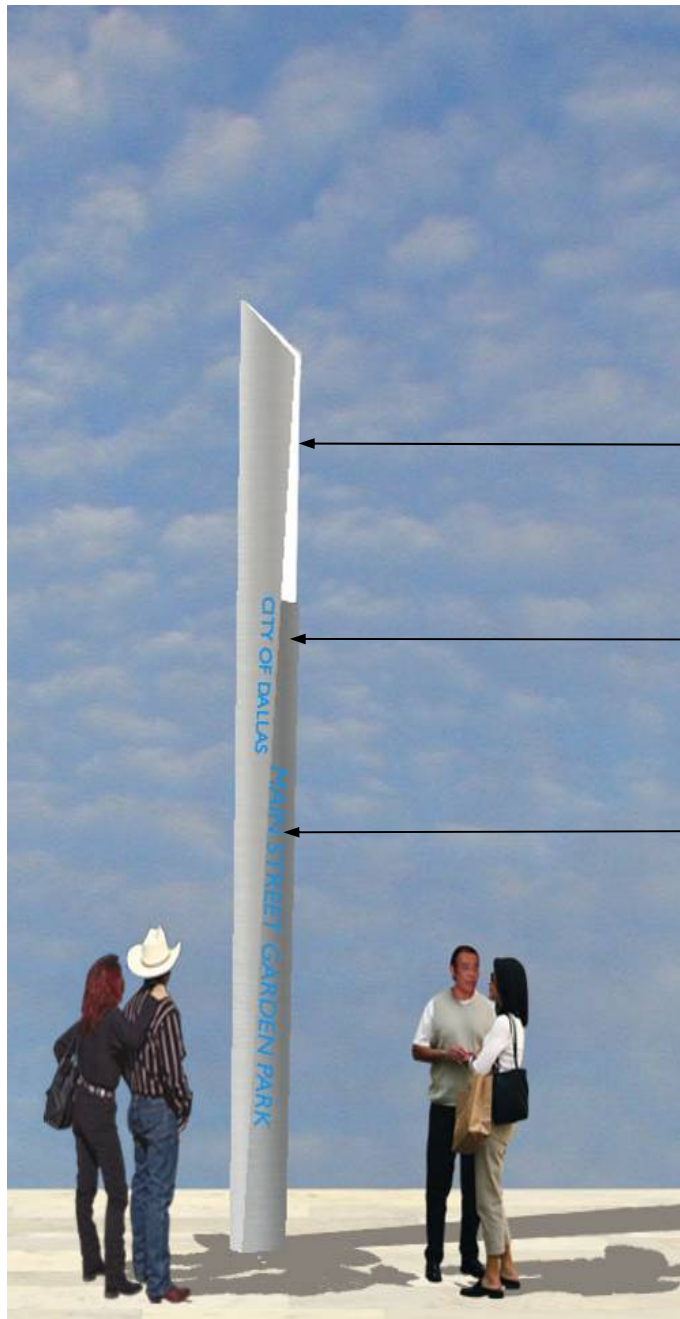
**MAIN STREET GARDEN PARK - SCHEMATIC DESIGN**

MARCH, 2007





**EVENING VIEW**



**DAY VIEW**

**GLOWING BEACON**

**POWDER  
COATED METAL  
CLADDING**

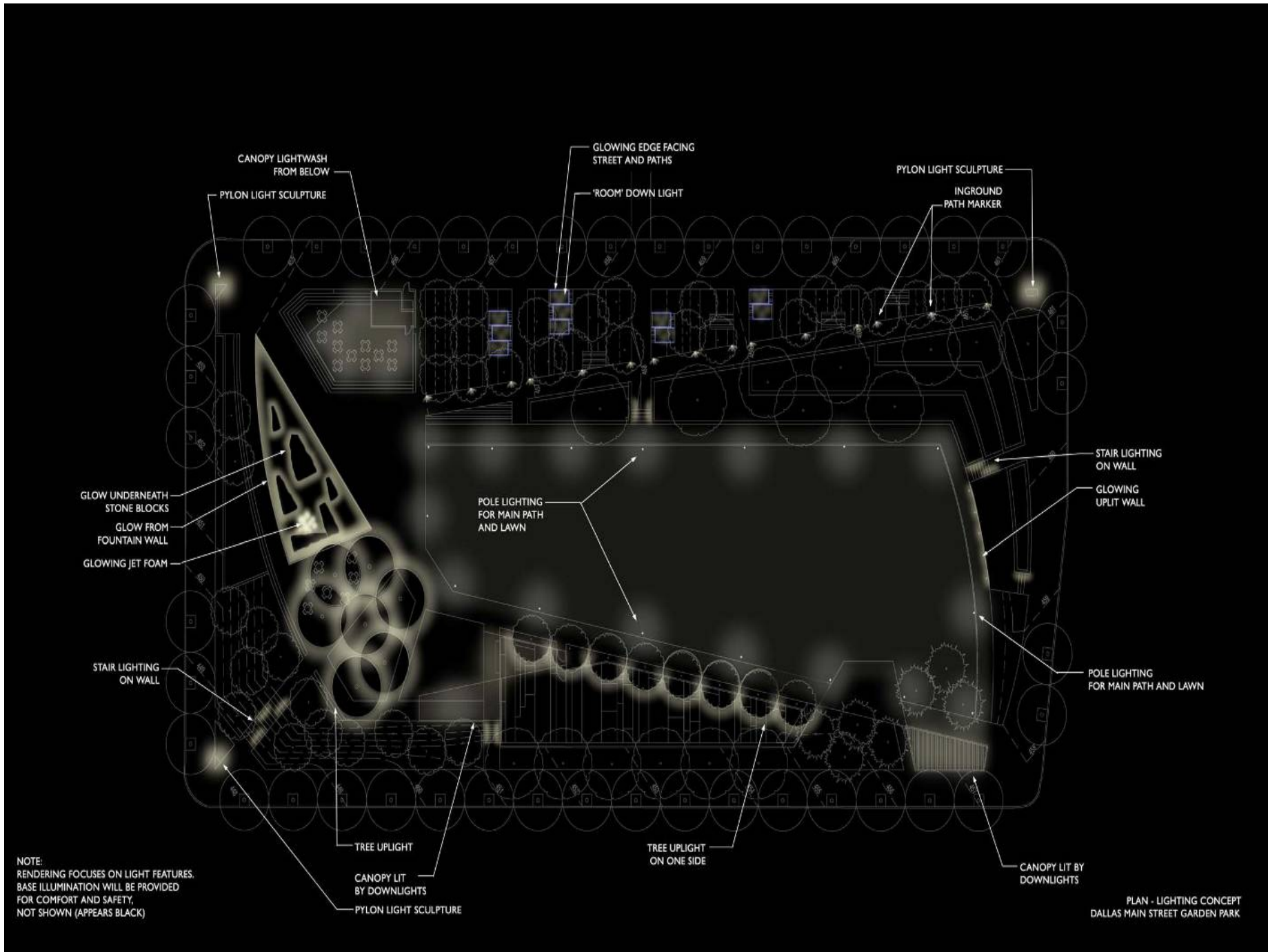
**LIGHTED PARK  
SIGNAGE**



# MAIN STREET GARDEN PARK - SCHEMATIC DESIGN

MARCH, 2007



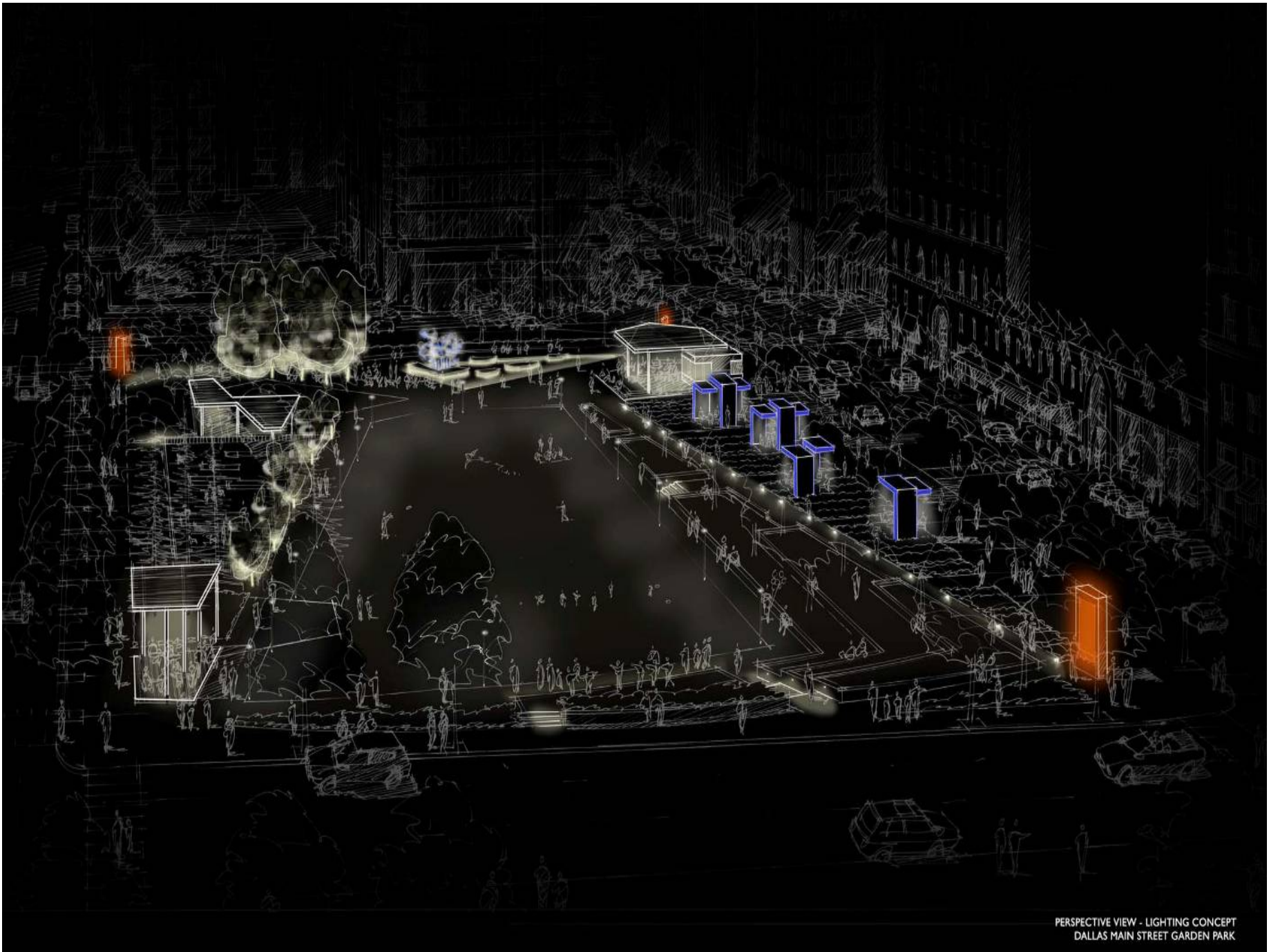


# MAIN STREET GARDEN PARK - SCHEMATIC DESIGN



MARCH, 2007





PERSPECTIVE VIEW - LIGHTING CONCEPT  
DALLAS MAIN STREET GARDEN PARK

## MAIN STREET GARDEN PARK - SCHEMATIC DESIGN

Thomas Balsley Associates  
Design

Landscape Architecture Site Planning Urban

**LIGHT**  
LENI SCHWENDINGER PROJECTS LTD

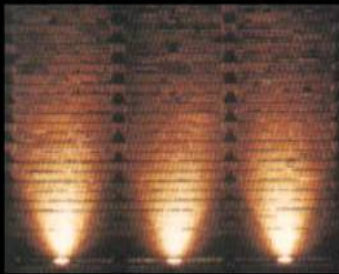
MARCH, 2007

AERIAL VIEW with LIGHTING





POLE LIGHTING



WALL FEATURE



TREES



PATH LIGHTING



STAIR LIGHTING



FOUNTAIN

# MAIN STREET GARDEN PARK - SCHEMATIC DESIGN





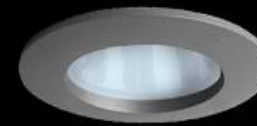
'SHELTER' LIGHTING - COLORS TO MATCH STRIATE GARDENS



STRIATE GARDENS



LINEAR LED 'SHELTER' SIDES



DOWN LIGHT



CANOPY UPLIGHT

# MAIN STREET GARDEN PARK - SCHEMATIC DESIGN